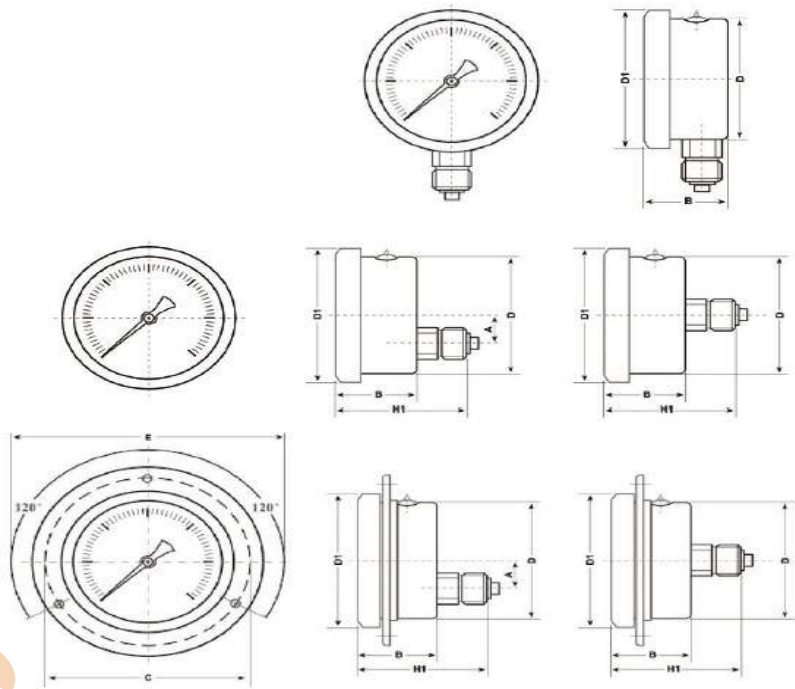


YENCO

FILLED GLYCERINE BOURDON TUBE PRESSURE GAUGE



DIAL SIZE	D	D1	B	A	H1	C	E
2.5"	Ø62	Ø69	30	--	54	Ø74	87
4"	Ø99	Ø111	48	28	85	Ø118	132

APPLICATIONS

For various kinds of environment fluids, resistant to high dynamic pressure loads and vibrations.

Well suited for the process industry applications including : Petrochemical, Chemical plants, and energy etc.

SPECIFICATIONS	63mm	100mm		
ACCURACY	1.00%	1.00%		
PRESSURE RANGES	-76-0cmHg~-76-30kg/cm ² , 0-1000kg/cm ²	-76-0cmHg~-76-30kg/cm ² , 0-1000kg/cm ²		
DIAL	Aluminum	Aluminum		
DUAL SCALE	Outside(Black)	Inside(Blue)	Outside(Black)	Inside(Blue)
	cmHg	inHg	cmHg	inHg
	kg/cm ²	psi	Kg/cm ²	psi
	Mpa	Bar	Mpa	Bar
TEMPERATURE	Working temperature 60°C max.		Working temperature 60°C max.	
	Ambient temperature around: -25°C~60°C		Ambient temperature around: -25°C~60°C	
CONNECTIONS	Brass		Brass	
	1/4"PT Bottom connection, without flange		3/8"PT Bottom connection, without flange	
	1/4"PT Back connection, with flange		3/8"PT Back lower connection, with flange	
MOVEMENT	Brass		Brass	
POINTER	Black aluminum		Black aluminum	
CASE	304 Stainless steel		304 Stainless steel	
RING	Bayonet removable AISI 304		Bayonet removable AISI 304	
BOURDON TUBE	Brass		Brass	
FILLING	Glycerine (99.5%)		Glycerine (99.5%)	
WINDOW	Polycarbonate Lens		Polycarbonate Lens	

Under Taiwan Government CNS standard with testing report & guarantee

REMARKS: ACCURACY CLASS ± 1.0% F.S.D.

AND SAFETY GLASS DIAL CAN BE MADE TO CLIENT'S ORDER